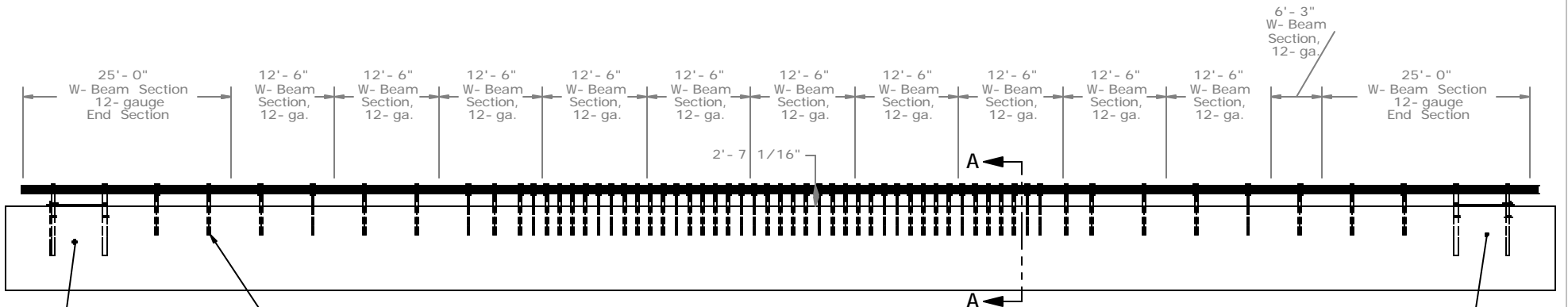


PLAN VIEW



PROFILE VIEW

BCT posts in 6' long (galvanized) foundation tubes, ground line strut, and BCT cable anchor

W6x9 72" long Posts with 6x12x14 1/4" Blockouts

BCT posts in 6' long (galvanized) foundation tubes, ground line strut, and BCT cable anchor



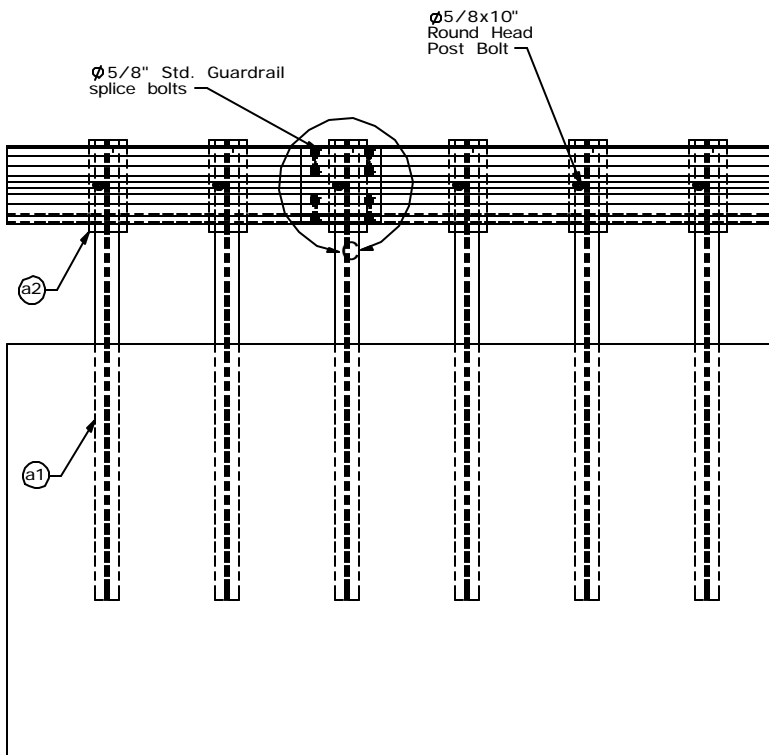
Midwest Roadside Safety Facility

MGS- 1/4 Post Spacing System Layout

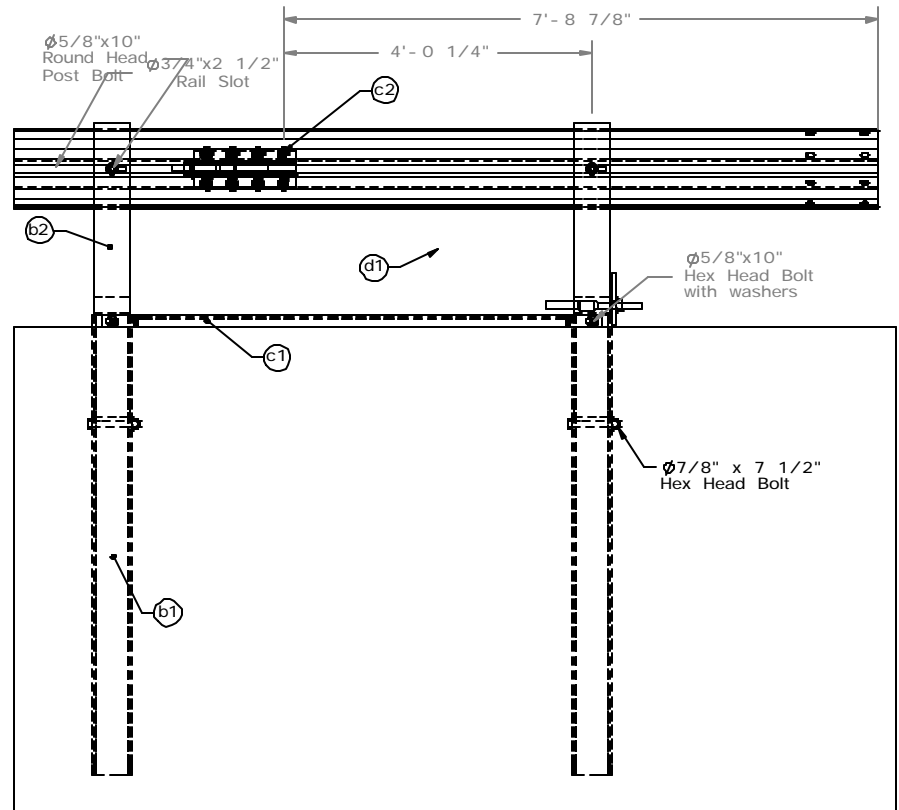
SHEET: 1 of 7
DATE: 01/09/2005
DRAWN BY: GEP

DWG. NAME: MGS_Standard_0.25spacing

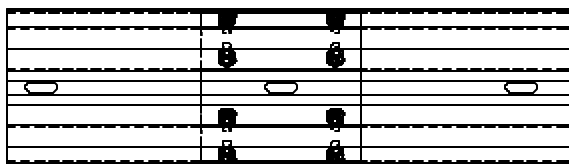
SCALE: None
UNITS: Inches
REV. BY: KAP



SPLICE DETAIL



END RAIL DETAIL



DETAIL C
SCALE 1 : 15



Midwest Roadside
Safety Facility

MGS- 1/4 Post Spacing

End Rail Detail
Splice Detail

SHEET:
2 of 7

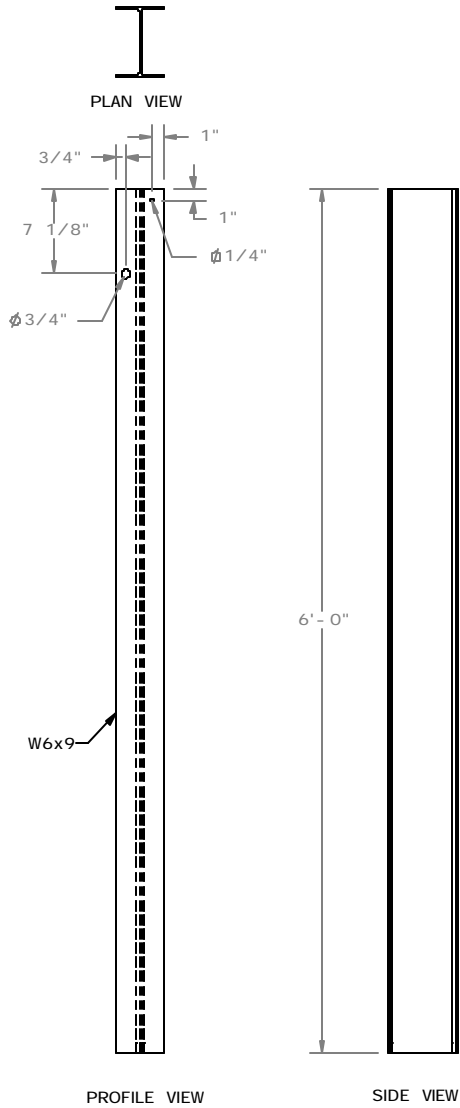
DATE:
01/09/2005

DRAWN BY:
GEP

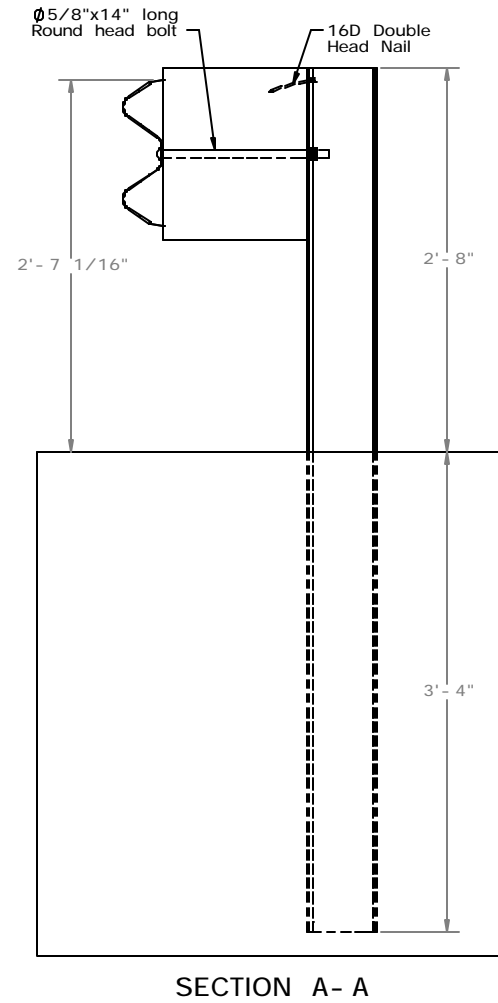
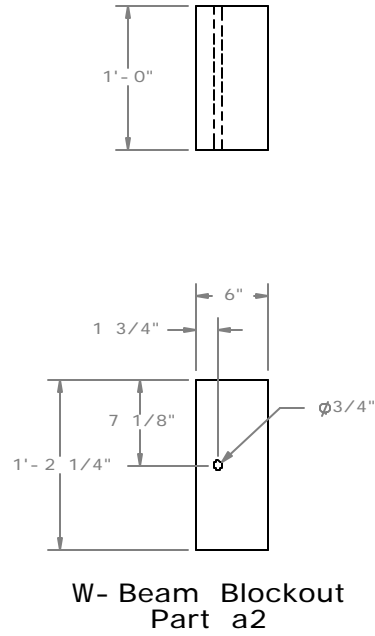
DWG. NAME.
MGS_Standard_0.25spacing

SCALE: None
UNITS: Inches

REV. BY:
KAP



W- Beam Post
Part a1



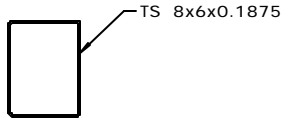
Midwest Roadside
Safety Facility

MGS- 1/4 Post Spacing
Posts 3- 59 Detail

DWG. NAME.
MGS_Standard_0.25spacing

SCALE: None
UNITS: Inches

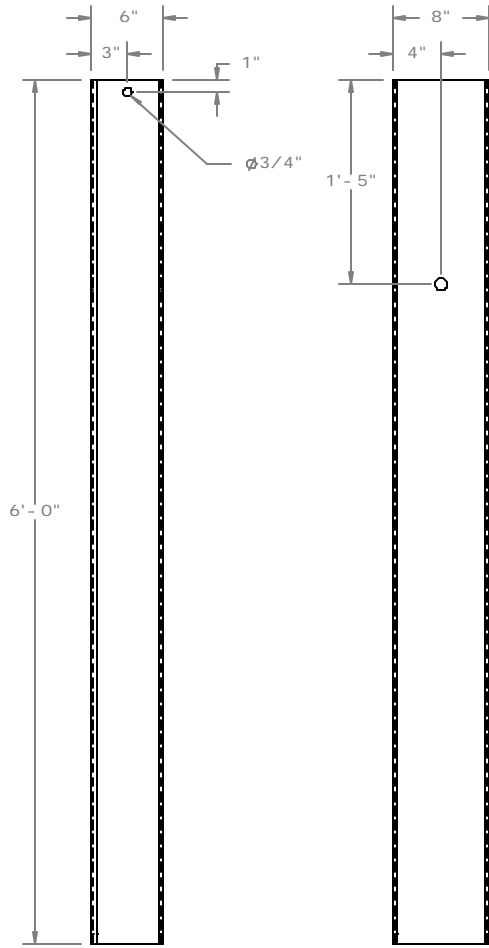
SHEET:
3 of 7
DATE:
01/09/2005
DRAWN BY:
GEP
REV. BY:
KAP



PLAN VIEW



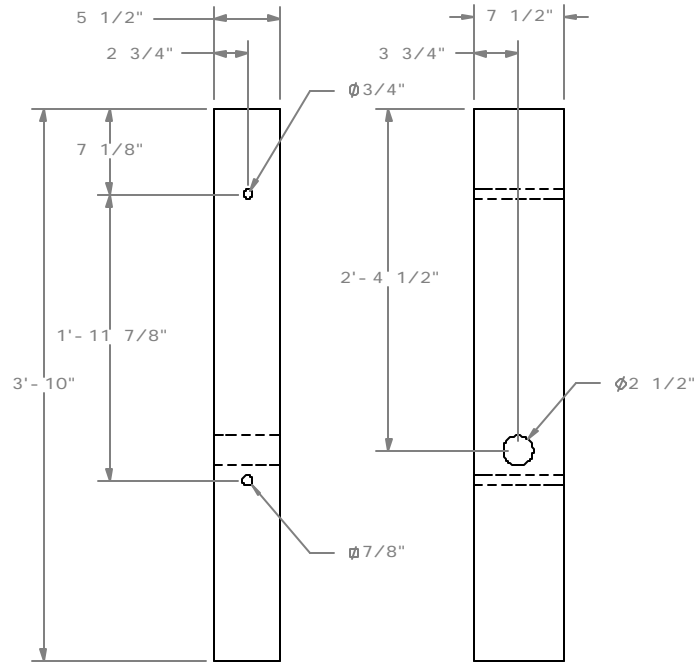
PLAN VIEW



PROFILE VIEW

SIDE VIEW

Foundation Tube
Part b1



PROFILE VIEW

SIDE VIEW

BCT (MGS) Timber Post
Part b2



Midwest Roadside
Safety Facility

MGS- 1/4 Post Spacing

BCT Timber Posts &
Foundation Tube Detail

SHEET:

4 of 7

DATE:

01/09/2005

DRAWN BY:

GEP

DWG. NAME.

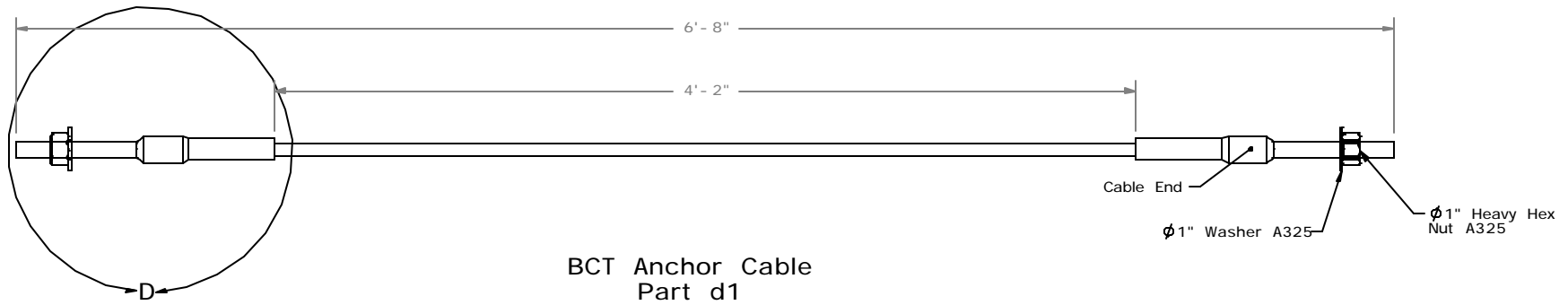
MGS_Standard_0.25spacing

SCALE: None

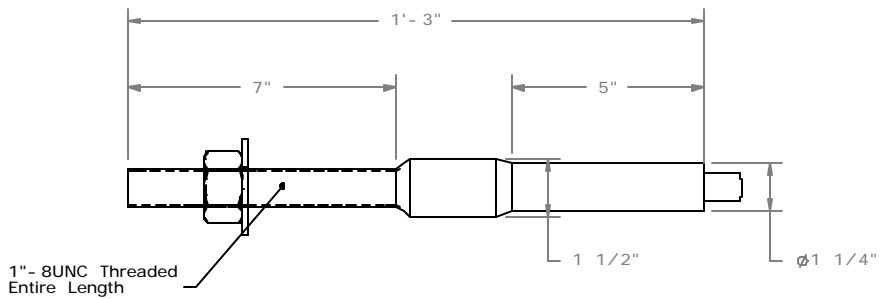
UNITS: Inches

REV. BY:

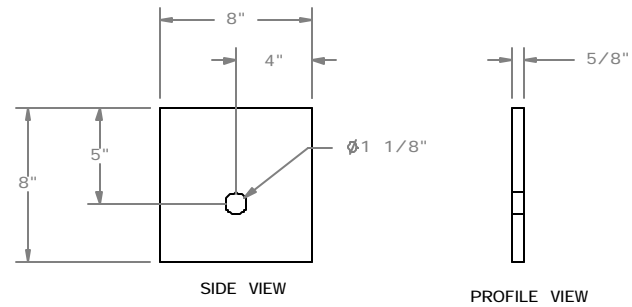
KAP



BCT Anchor Cable
Part d1



DETAIL D
SCALE 1 : 5



Anchor Cable
Bearing Plate
Part d2



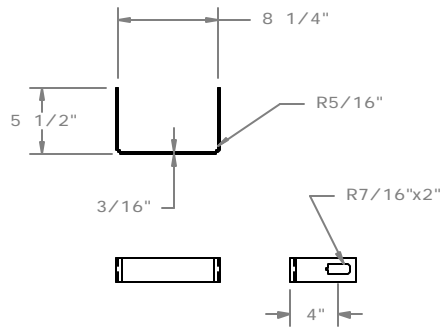
Midwest Roadside
Safety Facility

MGS- 1/4 Post Spacing
BCT Anchor Cable Detail

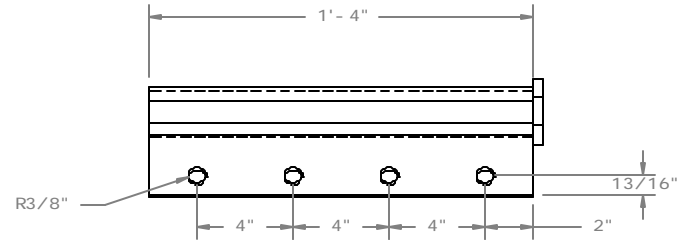
DWG. NAME.
MGS_Standard_0.25spacing

SCALE: None
UNITS: Inches

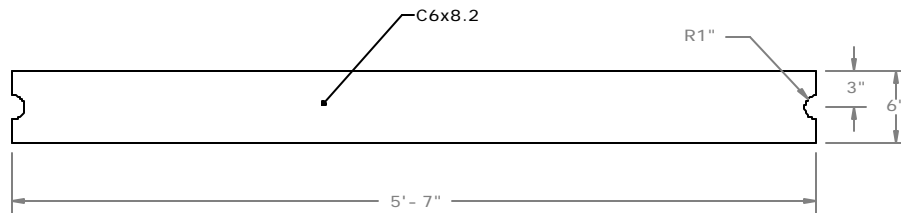
SHEET:
5 of 7
DATE:
01/09/2005
DRAWN BY:
GEP
REV. BY:
KAP



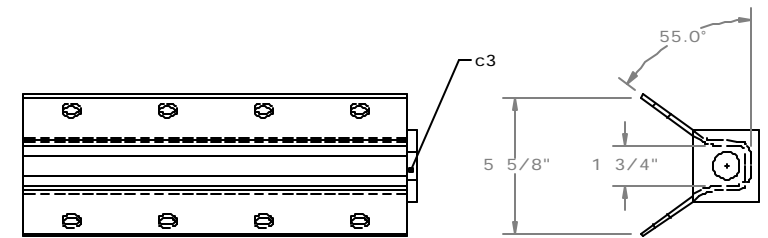
Yoke Detail



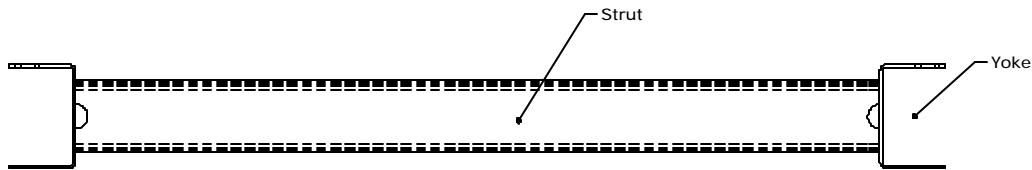
Anchor Bracket
Part c2



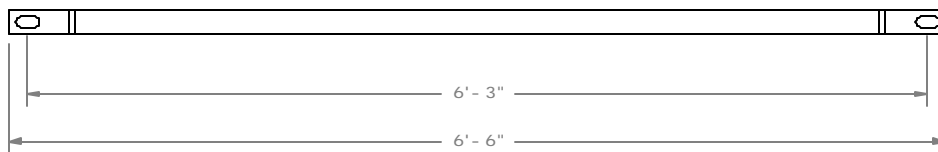
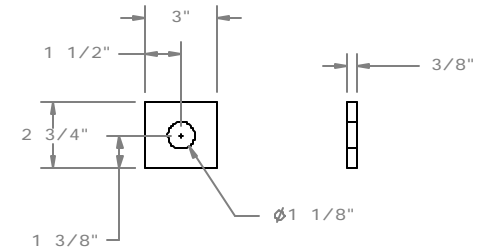
Strut Detail



Anchor Bracket
Bearing Plate
Part c3



PLAN VIEW



PROFILE VIEW

Ground Strut
Part c1



Midwest Roadside
Safety Facility

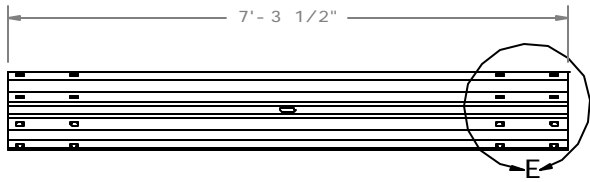
MGS- 1/4 Post Spacing

Ground Strut & Anchor
Bracket Details

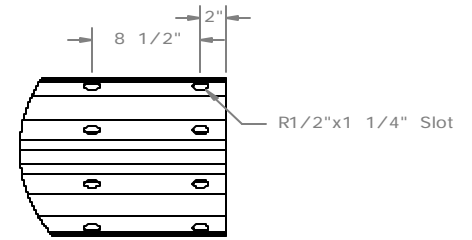
DWG. NAME:
MGS_Standard_0.25spacing

SCALE: None
UNITS: Inches

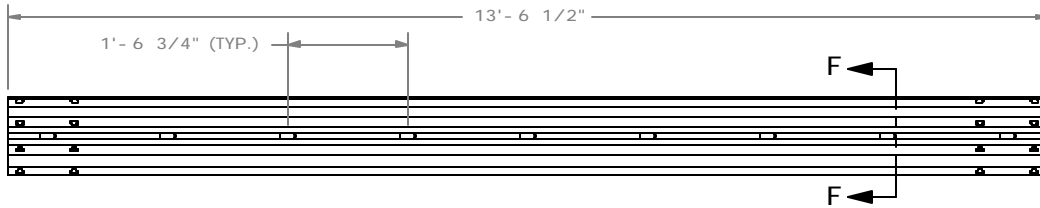
SHEET:
6 of 7
DATE:
01/09/2005
DRAWN BY:
GEP
REV. BY:
KAP



6'- 3" W- Beam Section, 12 gauge



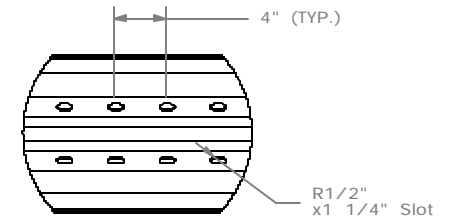
DETAIL E
SCALE 1 : 15



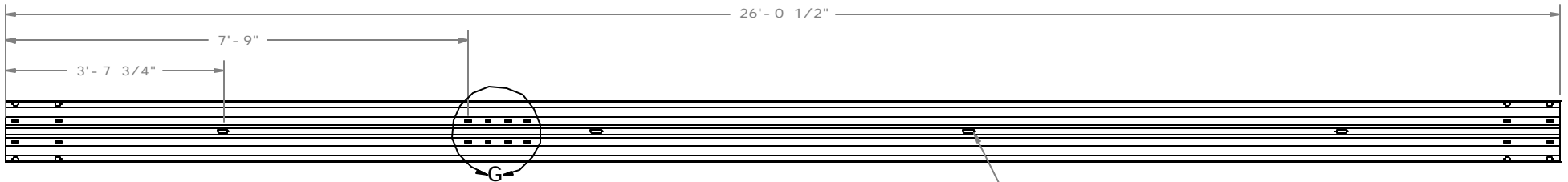
12'- 6" W- Beam Section, 12 gauge



SECTION F- F



DETAIL G
SCALE 1 : 15



25' W- Beam Section, 12 gauge, End Section

Ø3/4"x2 1/2" Slots



Midwest Roadside
Safety Facility

MGS- 1/4 Post Spacing
Rail Section Details

SHEET:
7 of 7
DATE:
01/09/2005
DRAWN BY:
GEP

DWG. NAME:
MGS_Standard_0.25spacing

SCALE: None
UNITS: Inches
REV. BY:
KAP