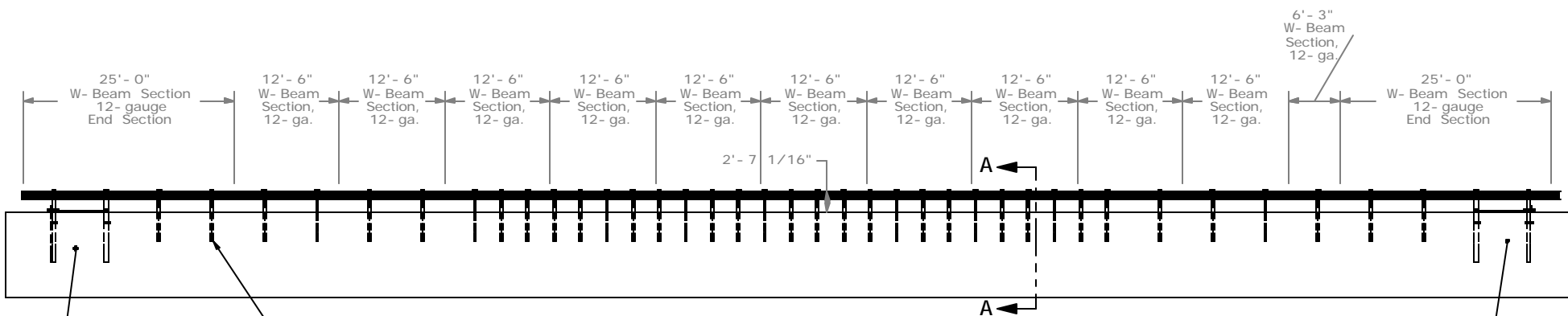


PLAN VIEW



PROFILE VIEW

BCT posts in 6' long (galvanized) foundation tubes, ground line strut, and BCT cable anchor

W6x9 72" long Posts with 6x12x14 1/4" Blockouts

BCT posts in 6' long (galvanized) foundation tubes, ground line strut, and BCT cable anchor



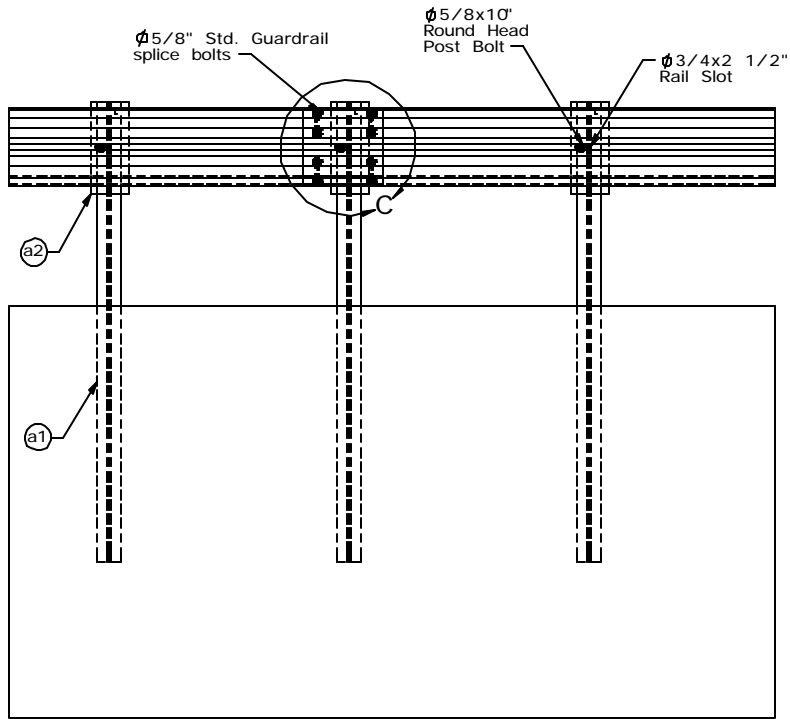
Midwest Roadside Safety Facility

MGS 1/2Post Spacing System Layout

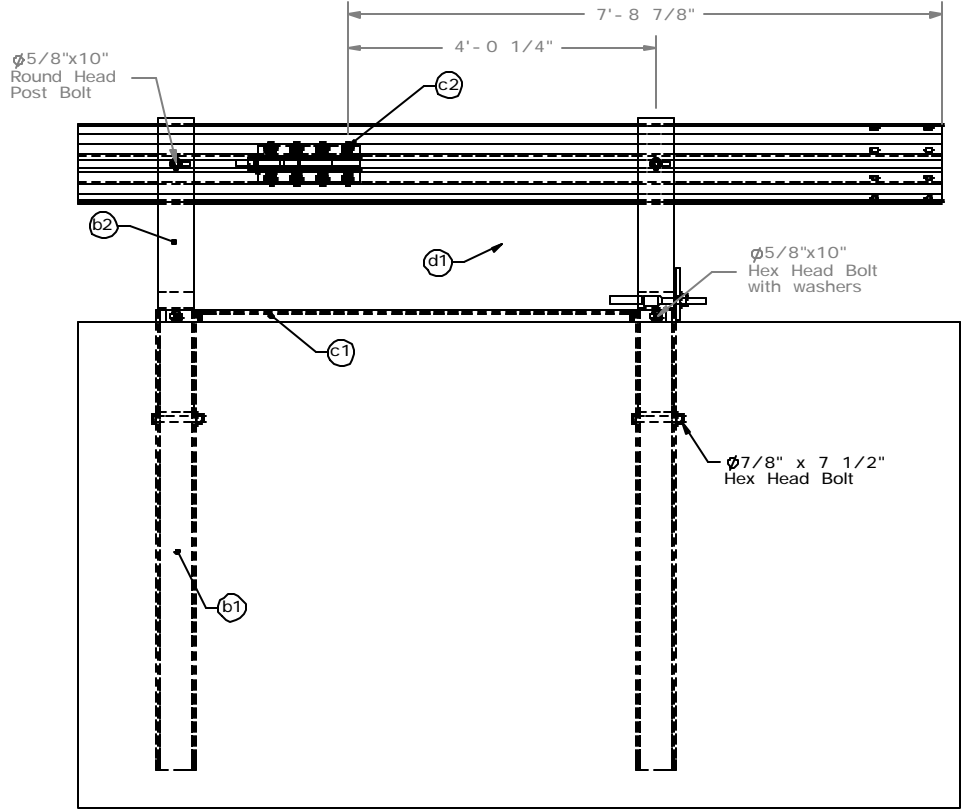
DWG. NAME:
MGS_Standard_0.5spacing

SCALE: None
UNITS: Inches

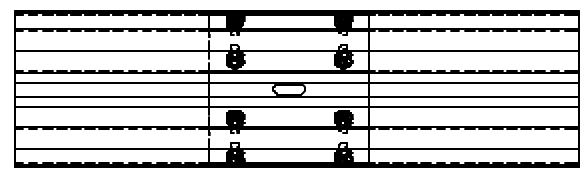
SHEET:
1 of 7
DATE:
01/09/2005
DRAWN BY:
GEP
REV. BY:
KAP



SPLICE DETAIL



END RAIL DETAIL



DETAIL C
SCALE 1 : 15



Midwest Roadside Safety Facility

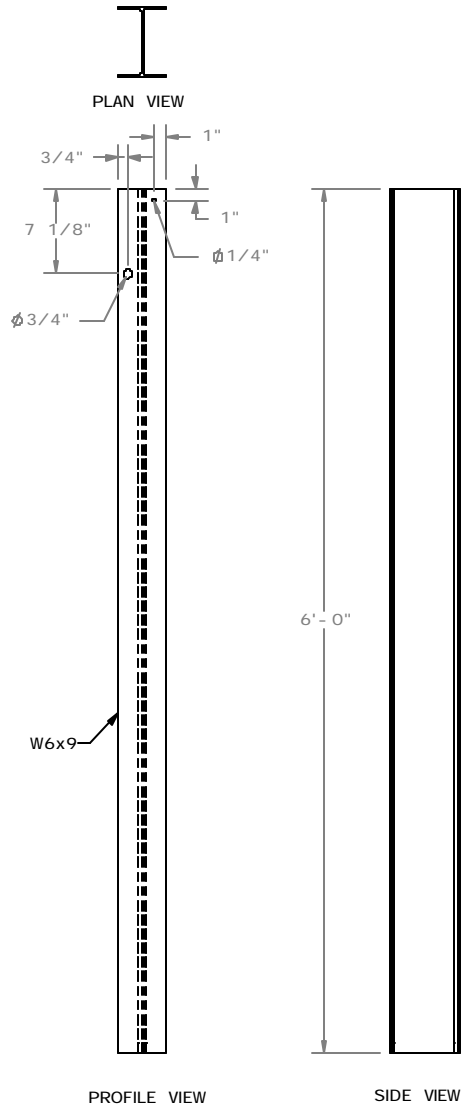
MGS 1/2Post Spacing

End Rail Detail
Splice Detail

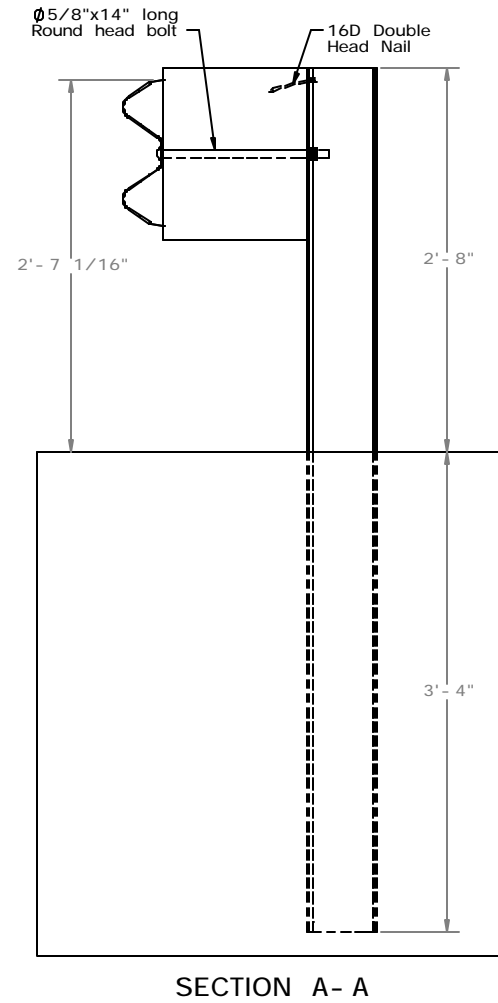
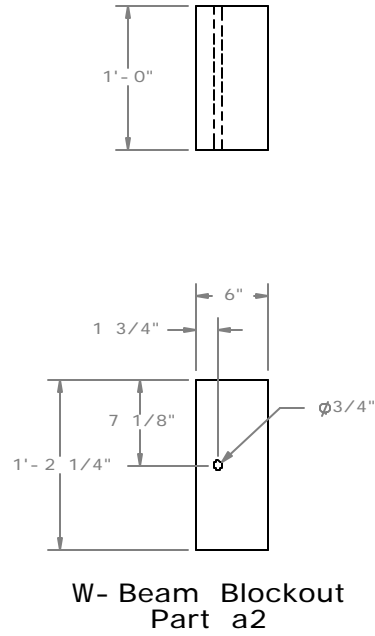
DWG. NAME:
MGS_Standard_0.5spacing

SCALE: None
UNITS: Inches

SHEET:
2 of 7
DATE:
01/09/2005
DRAWN BY:
GEP
REV. BY:
KAP



W- Beam Post
Part a1



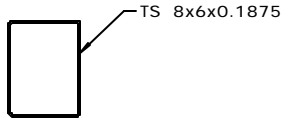
Midwest Roadside
Safety Facility

MGS 1/2 Post Spacing
Posts 3- 39 Detail

DWG. NAME.
MGS_Standard_0.5spacing

SCALE: None
UNITS: Inches

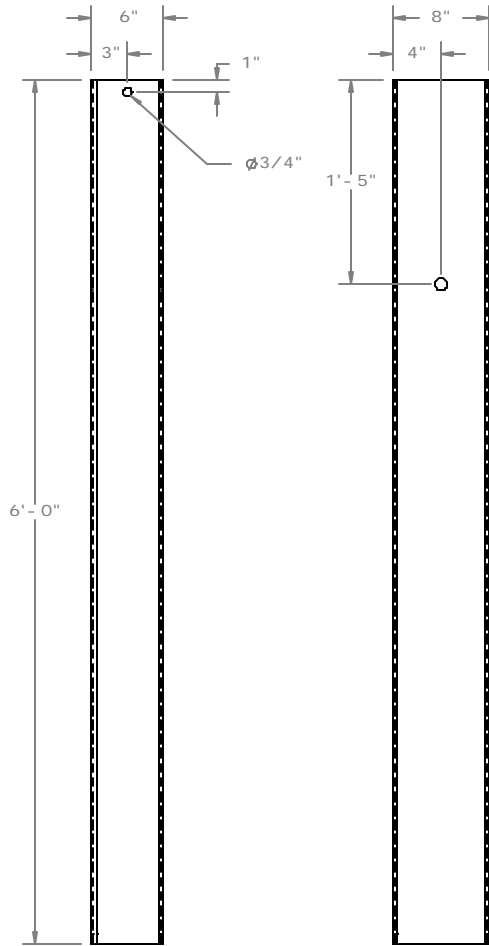
SHEET:
3 of 7
DATE:
01/09/2005
DRAWN BY:
GEP
REV. BY:
KAP



PLAN VIEW



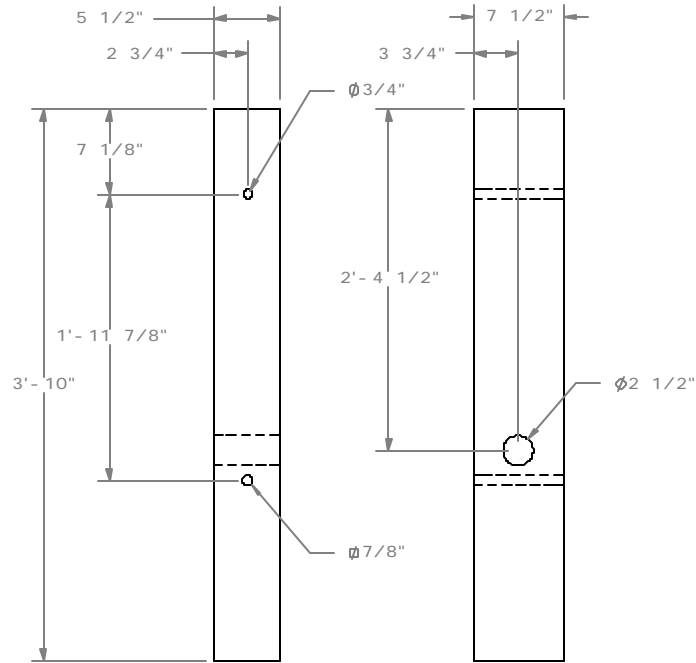
PLAN VIEW



PROFILE VIEW

SIDE VIEW

Foundation Tube
Part b1



PROFILE VIEW

SIDE VIEW

BCT (MGS) Timber Post
Part b2



Midwest Roadside
Safety Facility

MGS 1/2 Post Spacing

BCT Timber Posts &
Foundation Tube Detail

SHEET:
4 of 7

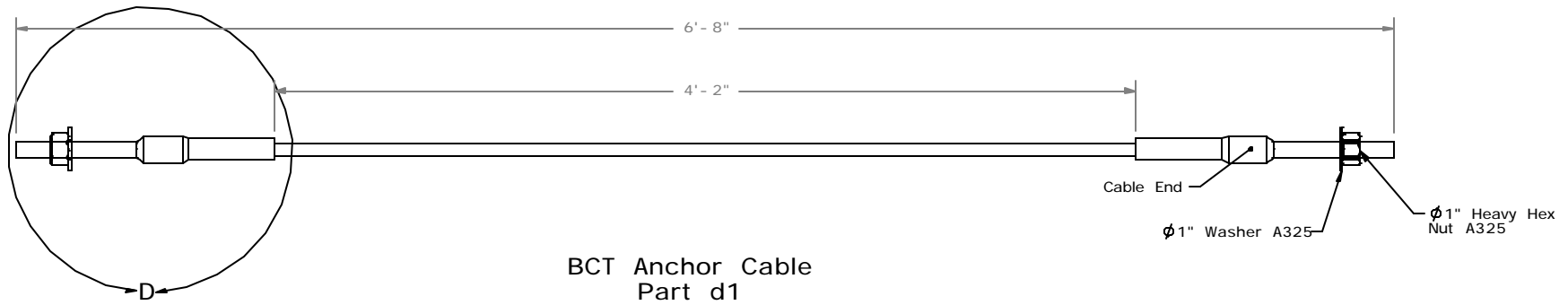
DATE:
01/09/2005

DRAWN BY:
GEP

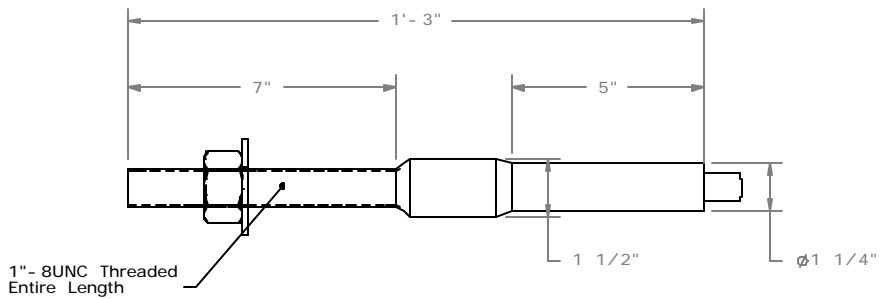
DWG. NAME:
MGS_Standard_0.5spacing

SCALE: None
UNITS: Inches

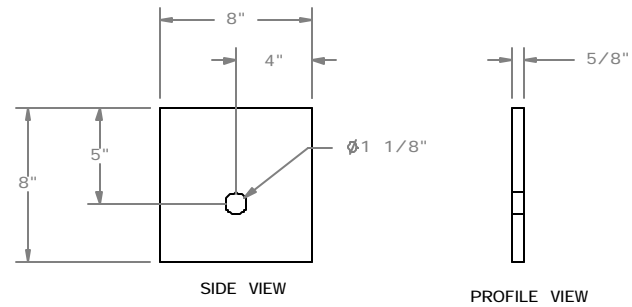
REV. BY:
KAP



BCT Anchor Cable
Part d1



DETAIL D
SCALE 1 : 5



Anchor Cable
Bearing Plate
Part d2



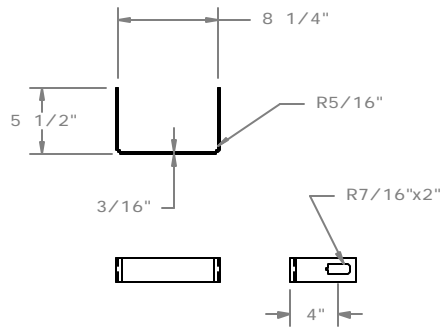
Midwest Roadside
Safety Facility

MGS 1/2Post Spacing
BCT Anchor Cable Detail

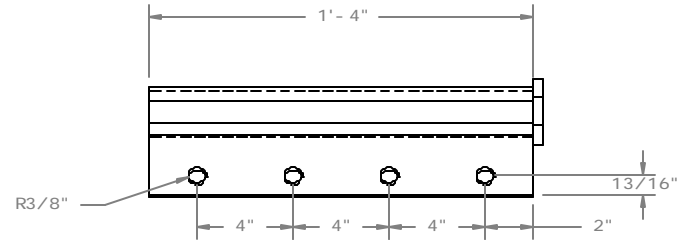
SHEET:
5 of 7
DATE:
01/09/2005
DRAWN BY:
GEP

DWG. NAME:
MGS_Standard_0.5spacing

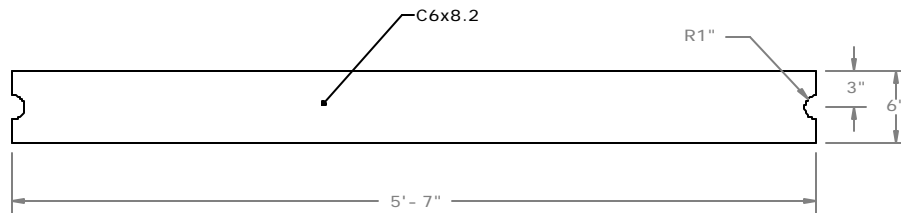
SCALE: None
UNITS: Inches
REV. BY:
KAP



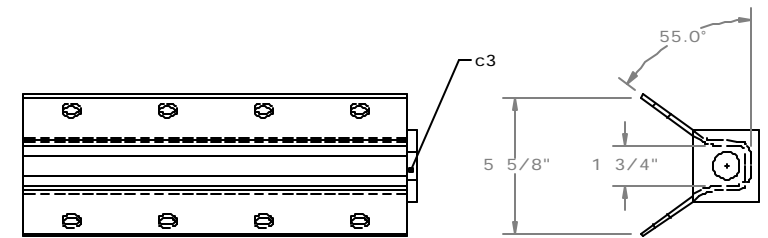
Yoke Detail



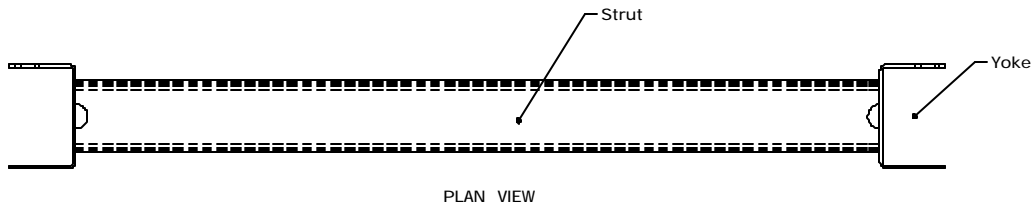
Anchor Bracket
Part c2



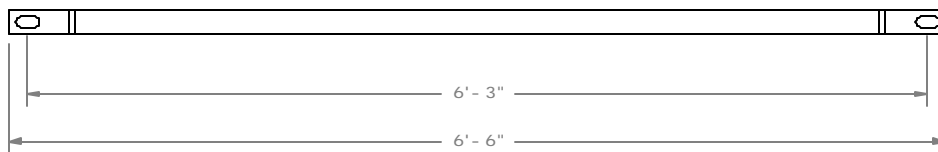
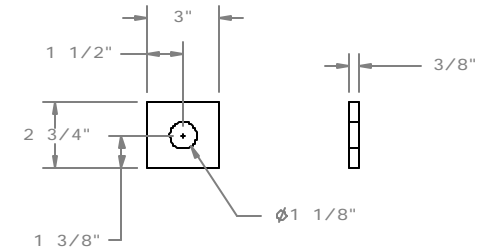
Strut Detail



Anchor Bracket
Bearing Plate
Part c3



PLAN VIEW



PROFILE VIEW

Ground Strut
Part c1



Midwest Roadside
Safety Facility

MGS 1/2Post Spacing

Ground Strut & Anchor
Bracket Details

SHEET:
6 of 7

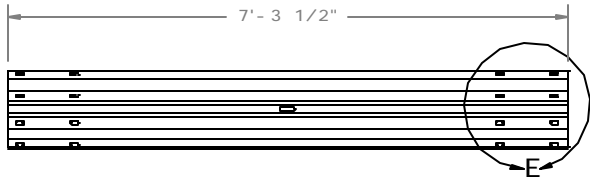
DATE:
01/09/2005

DRAWN BY:
GEP

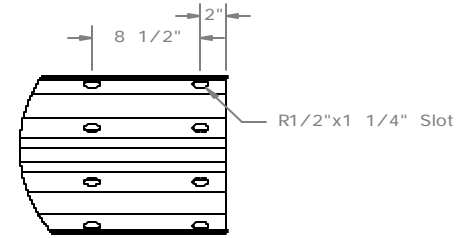
REV. BY:
KAP

DWG. NAME:
MGS_Standard_0.5spacing

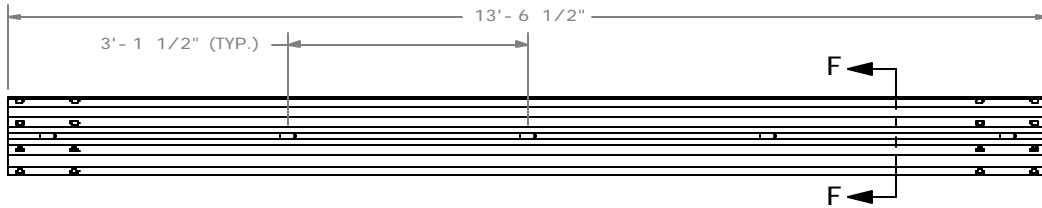
SCALE: None
UNITS: Inches



6'- 3" W- Beam Section, 12 gauge



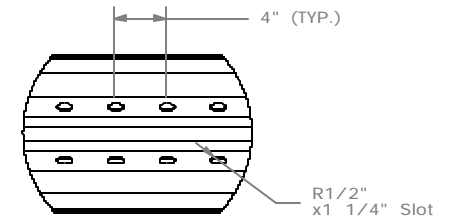
DETAIL E
SCALE 1 : 15



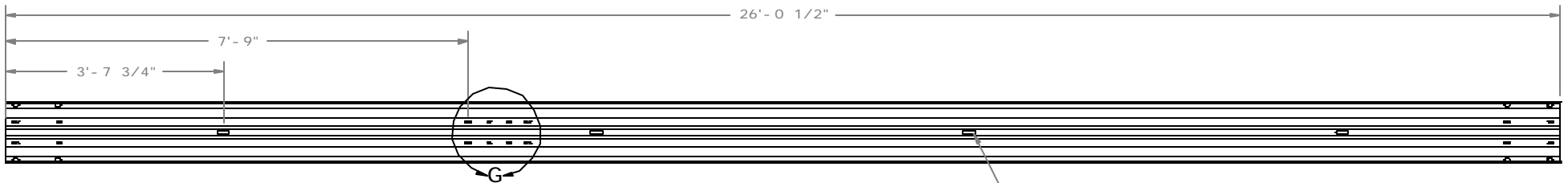
12'- 6" W- Beam Section, 12 gauge,
1/2 Post Spacing



SECTION F- F



DETAIL G
SCALE 1 : 15



25' W- Beam Section, 12 gauge, End Section



Midwest Roadside
Safety Facility

MGS 1/2Post Spacing
Rail Section Details

DWG. NAME:
MGS_Standard_0.5spacing

SCALE: None
UNITS: Inches

SHEET:
7 of 7
DATE:
01/09/2005
DRAWN BY:
GEP
REV. BY:
KAP