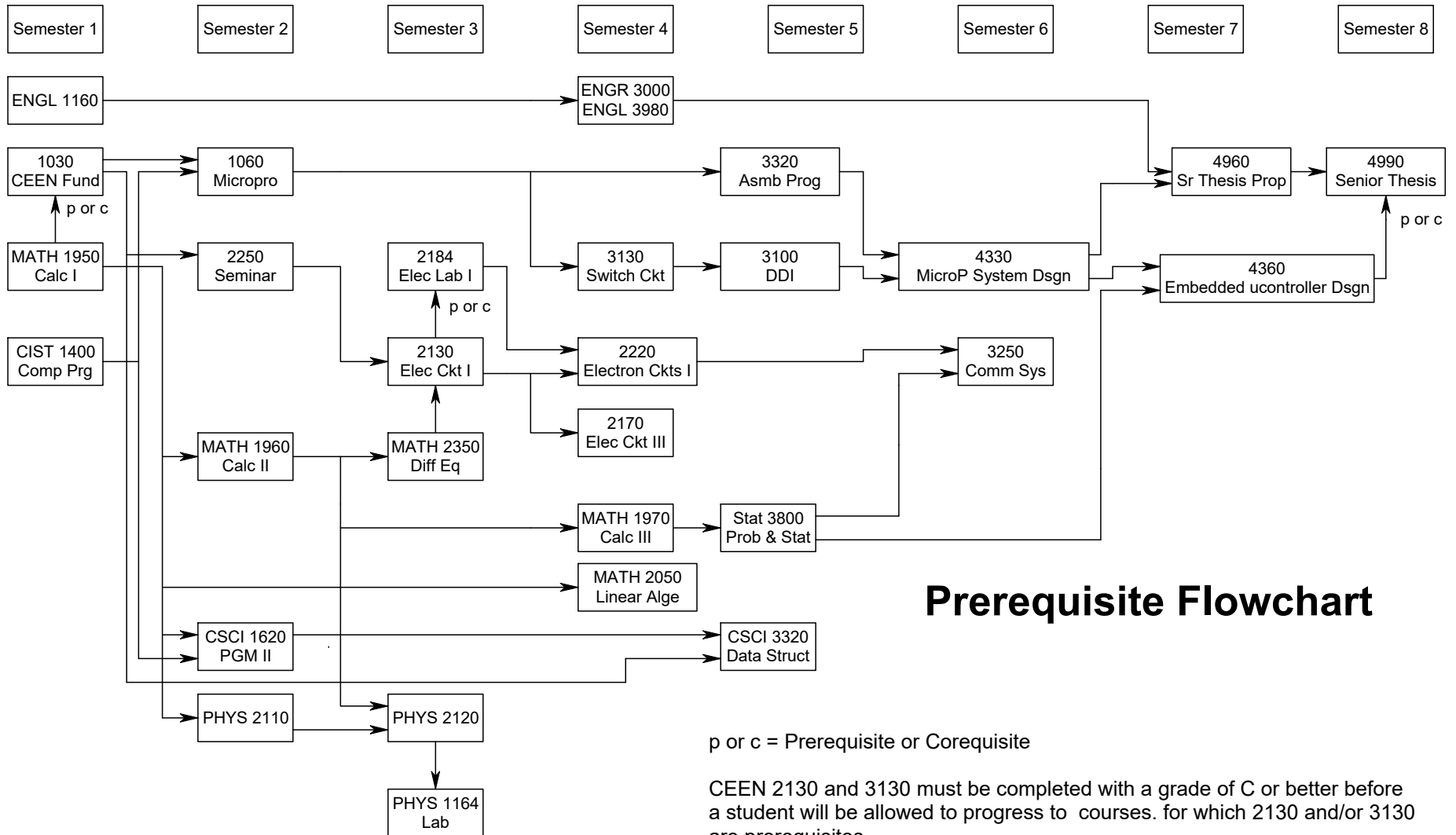


# Effective for Students Entering Fall 2016

# Computer Engineering



**Prerequisite Flowchart**

p or c = Prerequisite or Corequisite

CEEN 2130 and 3130 must be completed with a grade of C or better before a student will be allowed to progress to courses for which 2130 and/or 3130 are prerequisites.